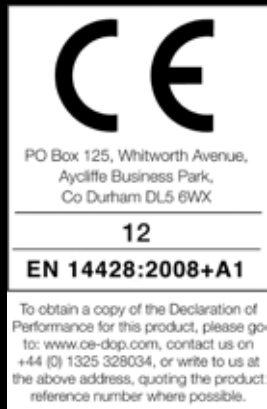


Side Panel

Instruction Manual

EGL



IMPORTANT INFORMATION

- Toughened glass is completely safe for use in our shower enclosures and bath screens; providing our products are installed according to our guidelines.
- It is important to note that the glass must not be mounted or 'pinched' in such a way that would cause a stress point to develop in the glass. In addition, it must not be subject to any sharp impact or severe temperature fluctuation which may also cause a stress point to develop in the glass.
- Toughened glass is physically and thermally significantly stronger than standard glass. During the toughening process the stresses contained within any glass are balanced so if in the unlikely event situation any of the above occurs and the glass breaks, the glass will shatter safely into small thumbnail sized blunt fragments.

PRE-INSTALLATION CHECKS

1. Check you have the correct product. Please look at the labels on the side of the product packaging.
2. Check all the product components are in the box and the fixing kits.
3. Unpack your product and handle it with care.
4. Please check the product for defects or damage, once the installation has commenced we cannot accept responsibility for any defects or damage.
5. Please take time to read these instructions prior to installing your product.
6. Before you commence any drilling check there are no hidden electrical cables and/or water pipes.
7. No attempt should be made to re-work the toughened safety glass.
8. The installation of the product should be performed by two persons.
9. It is strongly recommended that the walls the product is going to be installed on are vertical.
10. It is strongly recommended the product is fitted on a tiled surface or similar waterproof surface.
11. It is strongly recommended the walls are tiled and grouted before the product is installed.
12. If the walls and/or the tray are not level you will not achieve maximum adjustment of the product.
13. Pictures used are for illustration purposes only, product designs may alter slightly as a result of continuing product development.
14. We do not stipulate where the European Standard Kite Mark should be positioned on the glass when being factory assembled.
15. Please note that some natural misting may occur when you remove this product from its packaging, due to the addition of the glass protection pre-coating. If this does occur this can easily be removed with a soft, dry cloth.

Component Check List: Supplied

Description	Quantity
Return Panel	1
Corner Post	1

Equipment Check List: Not Supplied

Description
Electric / Battery drill
6mm Masonry Drill
Spirit Level
Screwdriver
Sealant Gun
Bathroom Sealant
Tape Measure
Pencil
Stanley Knife / Cutters

Fixing Kit Components

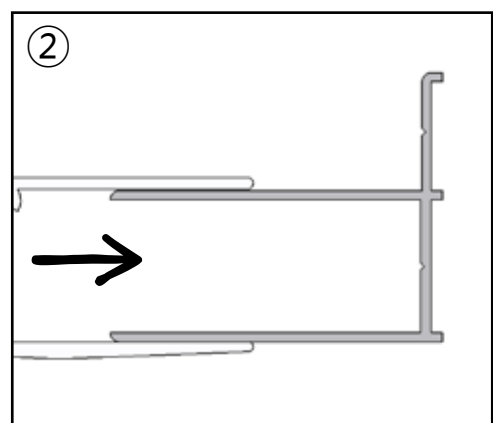
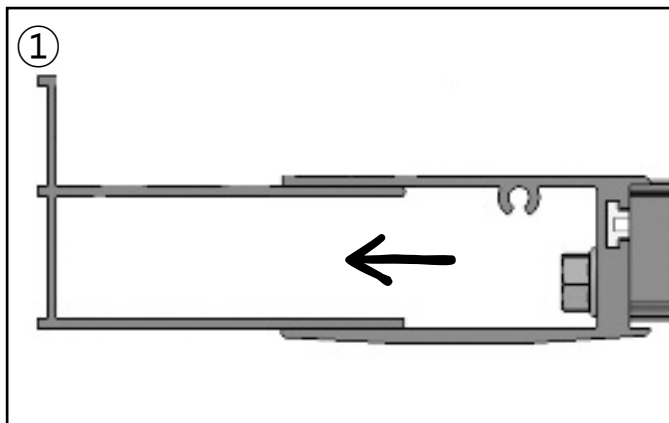
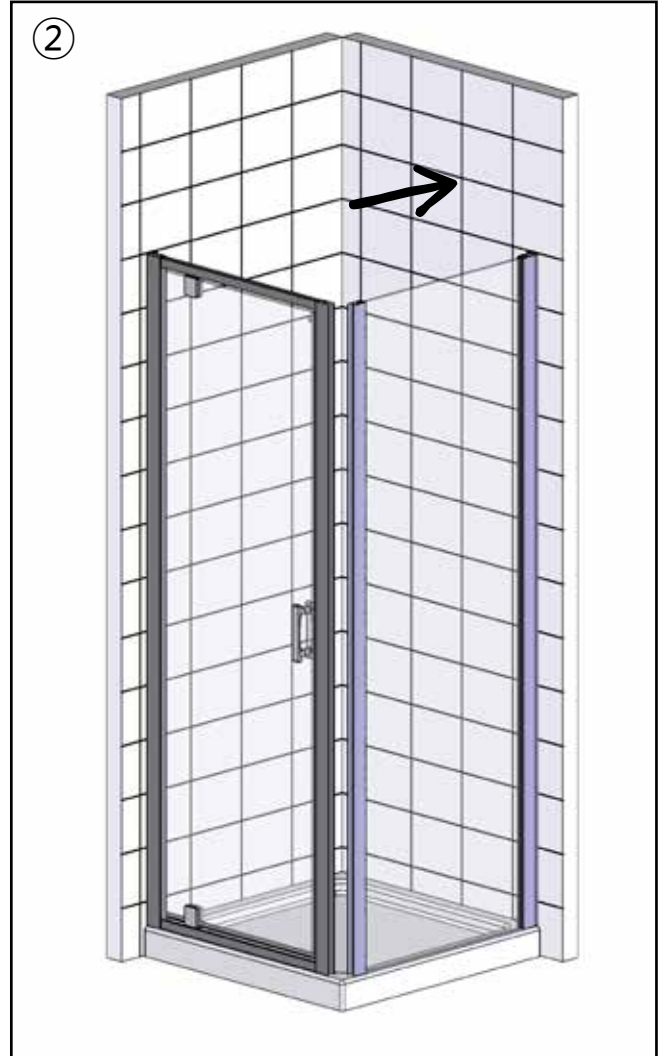
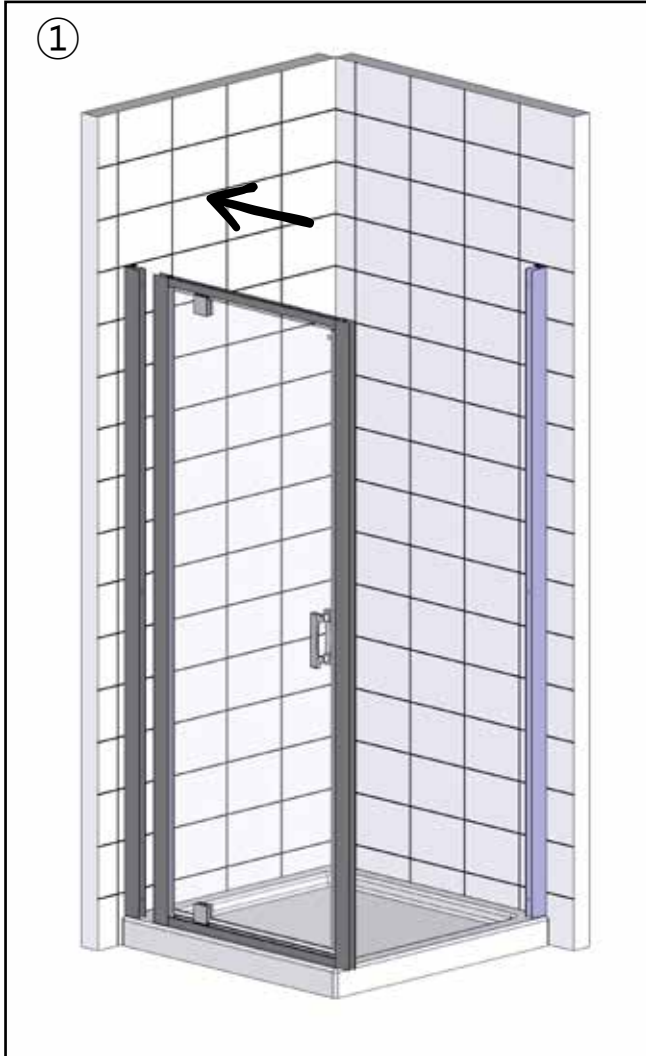
Description	Quantity
6mm Cap Head Screws	3
9mm Cap Head Screws	3
Coloured Caps and Bases	6
2.5mm Drill Bit	1
Top Cap (Left Hand)	1
Top Cap (Right Hand)	1
Corner Cap	1
Branding Badge (if applicable)	1

CONSUMER GUARANTEE

Please make sure the purchaser/end user completes and returns the guarantee card which is enclosed with this product. Failure to validate the Guarantee will mean only the 1 Year Statutory Guarantee will apply.

Step 1 - Inserting the Panel and Door

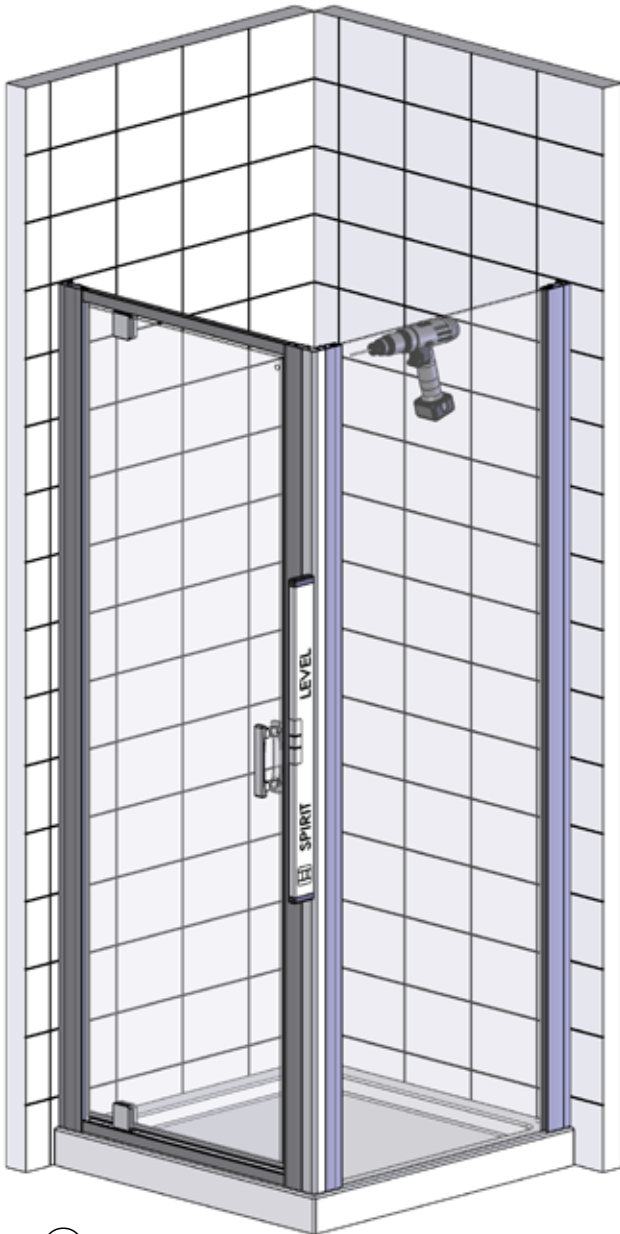
IMPORTANT: Make sure step 2 of the Door Installation Guide is completed before fitting your Return Panel (The door image used in these instructions is an example only). Be sure to remove the red Transit Caps before proceeding.



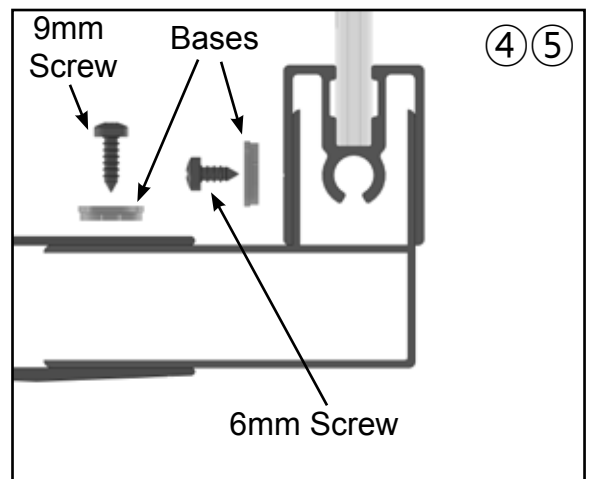
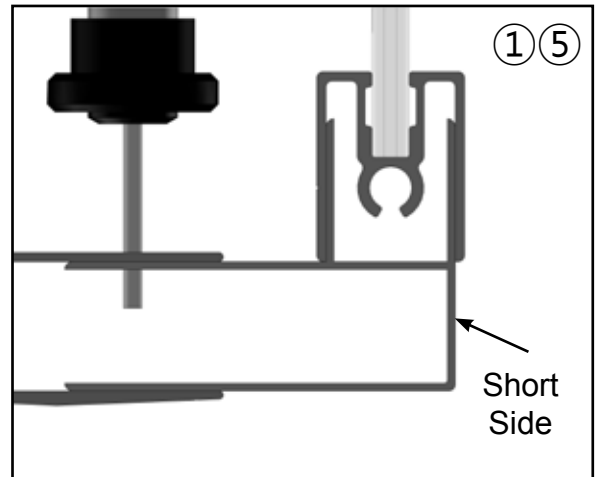
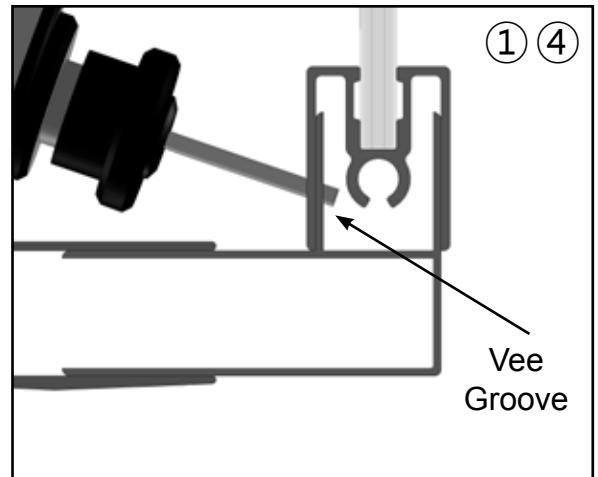
1. Lift the door onto the tray and locate fully over the Wall Profile.
 2. Lift the panel onto the tray and locate fully over the Wall Profile.
- **NOTE:** The door should always pivot / hinge from the wall.

Step 2 - Fixing the Panel to the Door

NOTE: 2 People will be required to do the following procedures.



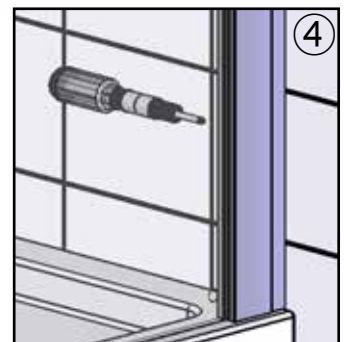
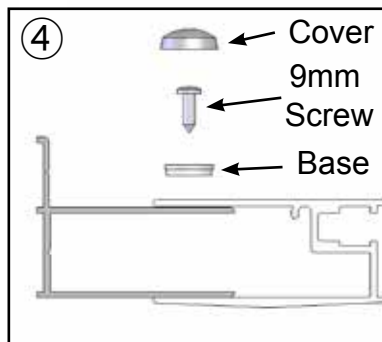
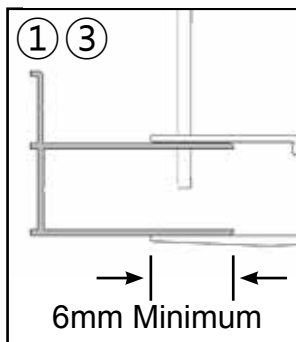
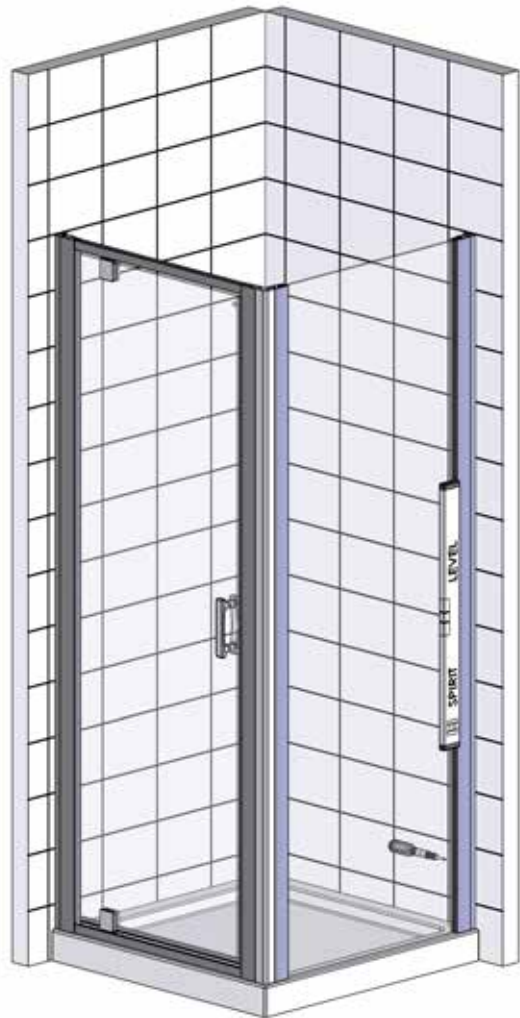
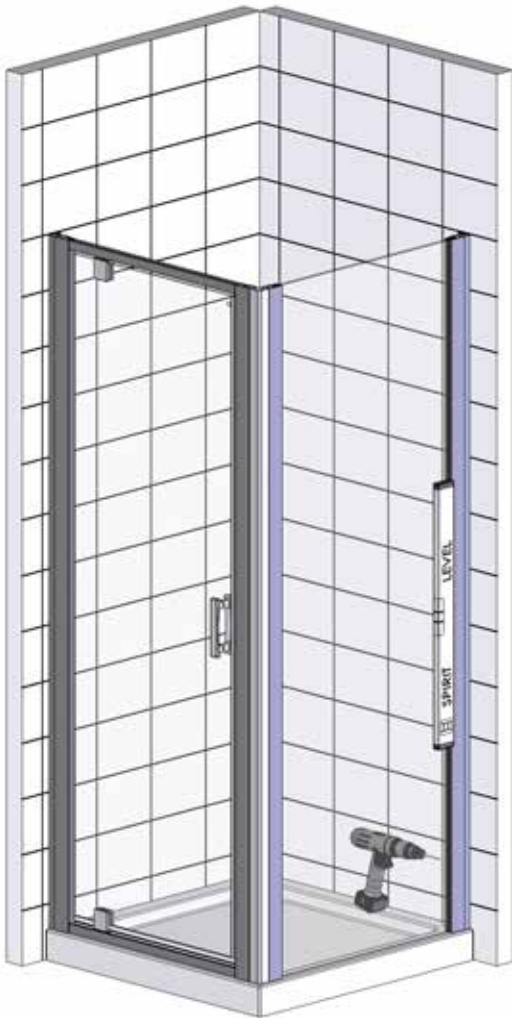
③



1. Place the Corner Post into both the Panel and Door Verticals ensuring the short side goes into the Panel.
 2. It is important to balance the look of the enclosure so carefully move the Door and Panel so that they are equally spaced in all of the profiles. Make sure the Door and Panel are parallel to the outside of the tray.
 3. Using a spirit level ensure the door and panel are completely vertical.
 4. Drill through the Vee groove in the Panel Vertical and into the Corner Post using the 2.5mm drill bit (supplied). On the 6mm Cap Head Screws fit the Screw Bases then secure the Panel to the Corner Post.
 5. Drill through the Door Vertical into the Corner Post using the 2.5mm drill bit (supplied). On the 9mm Cap Head Screws fit the Screw Bases then secure the Door to the Corner Post.
- **NOTE: A minimum of 6mm is required between the Door and Corner Post for fixing.**

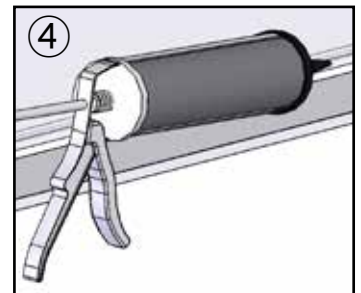
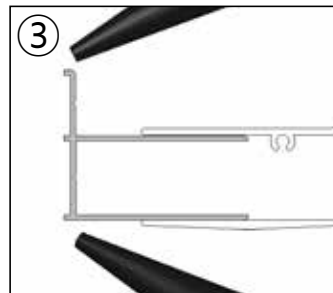
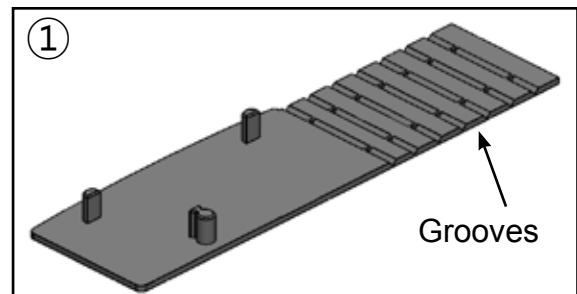
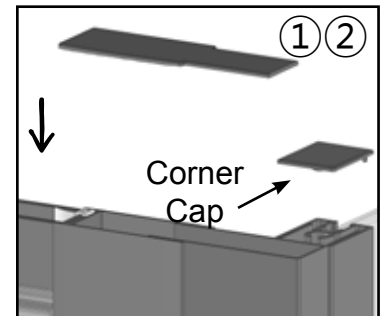
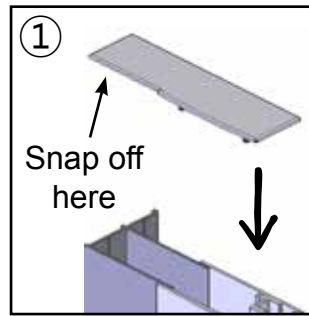
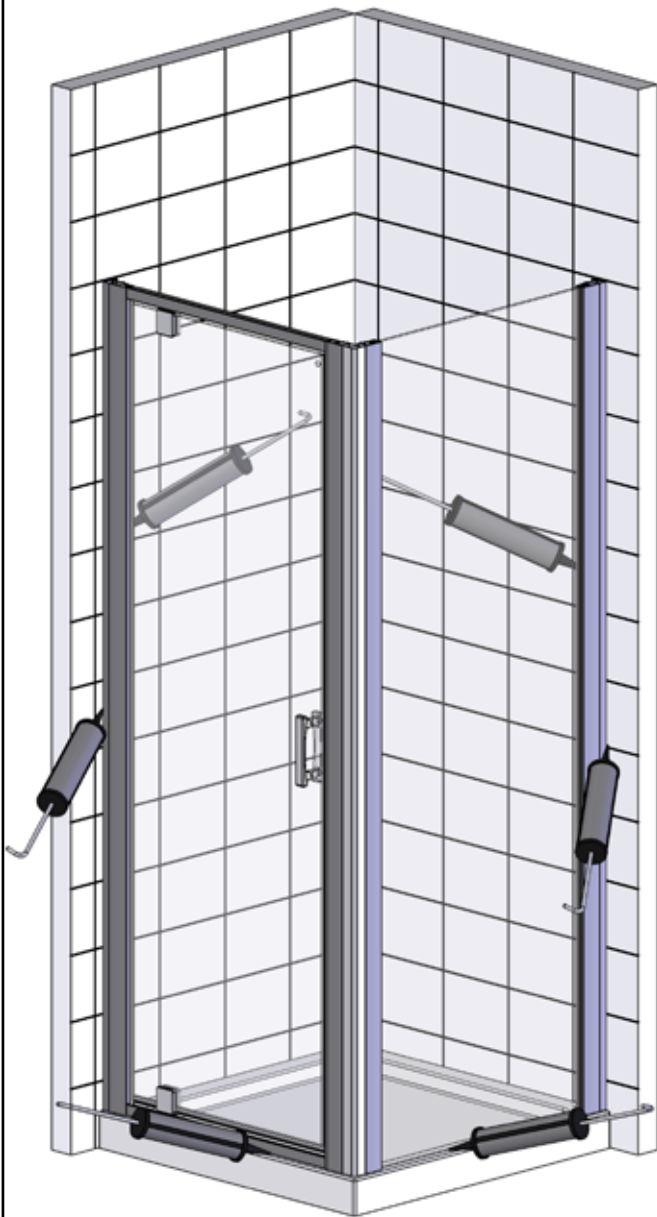
Step 3 - Fixing Panel and Door to Wall Profiles

NOTE: 2 People will be required to do the following procedures.



1. Carefully centre the Panel and Door between the Wall Profiles.
 - **NOTE: A minimum of 6mm is required between the Panel/Door and Wall Profiles for fixing.**
2. Make sure the Panel and Door are completely vertical using a spirit level.
 - **Prior to drilling/screwing the Panel and Door refer to the Door installation guide to understand the Door fitting and adjustment requirements.**
3. Drill through the Wall Profiles into the Panel and Door verticals with the 2.5mm drill bit (supplied), make sure that the Panel and Door remains completely vertical during this procedure.
4. Fit the bases on the screws and fasten the Wall Profile and Inline Panel together, push fit all Cover Caps.
 - **It may be beneficial to apply some pressure to the Door and Panel assembly and check the door operation prior to fixing the door side.**

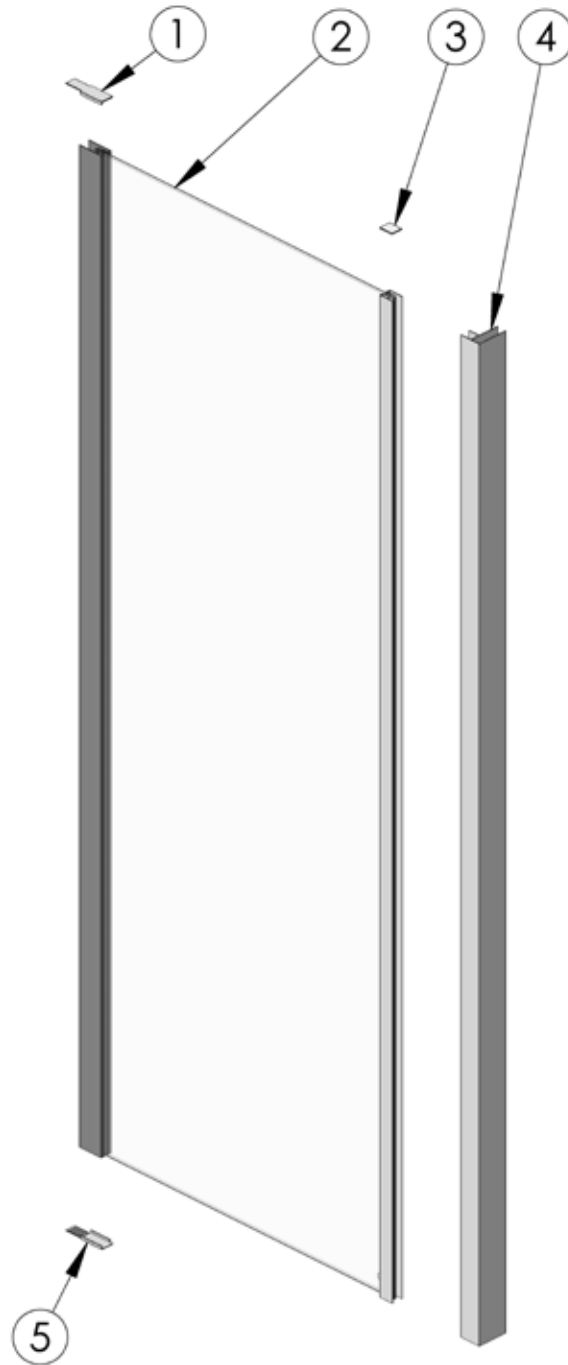
Step 4 - Fitting Screw Cover, Top Caps and Sealing



1. The Top Caps for the Wall / Door Profiles are handed and have grooves that can be shortened by snapping off at certain points.
2. Fit the Corner Cap to the top of the Corner Post.
 - **If required you can add a small amount of silicon between the bottom of the caps and the tops of the aluminium to help keep them in place.**
3. Using a good quality sealant, seal both sides of the wall profiles inside and outside vertically where they meet the tiled wall.
4. Seal the base of the Door and Panel fully on the outside only to the tray or wet room floor.
 - **IMPORTANT: Failure to follow procedures 3 and 4 may result in serious water damage and will not be covered under the terms of the guarantee.**
 - **DO NOT seal the base on the inside, failure to comply may result in the product leaking.**
 - **Please allow 24 hours for the sealant to fully cure before using the enclosure.**
5. Place the Branding Badge on a prominent, none moving piece of aluminium.

Spare Parts

If you need to replace any damaged parts please see illustration below for parts list then call Customer Relations on 01325 328033



Part No.	Description	Q'ty	Part No.	Description	Q'ty	Part No.	Description	Q'ty
1	Top Cap (Left Hand)	1	11			21		
2	Panel Assembly	1	12			22		
3	Corner Cap	1	13			23		
4	Corner Post	1	14			24		
5	Top Cap (Right Hand)	1	15			25		
6			16					
7			17					
8			18					
9			19					
10			20					

TROUBLE SHOOTING GUIDE

Problem	Solution
Leaking	<ol style="list-style-type: none">1. Check the tray has been sealed correctly prior to installation of the enclosure (Step 1 in the Door Instructions).2. Check the inside gap has been sealed correctly between the tray and wall profiles (Step 2 in the Door Instructions and Step 1 in these Instructions).3. Check that the base of the enclosure is sealed to the tray on the outside only (Step 5).4. Check to see if both wall profiles have been sealed vertically inside and outside where they meet the tiled wall (Step 5).5. Check that the base of the enclosure hasn't been sealed to the top of the tray on the inside of the cubicle.(Step 5). <p>Important: This enclosure should be water tested conforming to BS EN 14428</p>
Enclosure Alignment	<ol style="list-style-type: none">1. Check that the enclosure is fitted onto a tiled wall or a similar sealed surface (Step 1 in the Door Instructions).2. Check that the wall profiles have been fitted 15mm from the front outside edge of the tray (Step 2 in the Door Instructions).3. Check that the wall profiles have been fitted completely vertical (the bubble must be in the centre of the two lines on a spirit level - Step 2 in the Door Instructions).4. Check the enclosure is completely vertical and level (Step 1 in the Door Instructions).
Door not Operating Smoothly	<ol style="list-style-type: none">1. Check that the tray is completely level (the bubble must be in the centre of the two lines on a spirit level).2. Check that the wall profiles have been fitted completely vertical (the bubble must be in the centre of the two lines on a spirit level).

Some important information to help you Maintain your product.

The following information is all you need to keep your product looking new.

Clean your product using a mild detergent diluted in water and then polished off using a soft cloth.

If you live in a hard water area, periodically clean your product using a 50/50 solution of white vinegar and water. The solution should be left on the enclosure for approximately 5 minutes then rinsed off using warm water. This method of cleaning should remove lime scale residue.

Simple Maintenance

Our products are generally maintenance free, however it may be necessary to lubricate wheel assemblies and other moving parts from time to time.

It is strongly recommended that a quality silicone spray is used.

A list of Don't's:

1. Don't use acidic based products which are unsuitable for cleaning enamel surfaces.
2. Don't use abrasive cleaners or cleaners using bleach or solvents, these products will adversely affect the finish of the aluminium profiles.
3. Don't use scouring pads, powder or any sharp instruments when cleaning the enclosure.

Should you experience any problems during installation please refer to the Trouble Shooting Guide or contact Customer Relations on:

+44 (0) 1325 328033

To enable customer relations to provide you with an excellent level of service it is important that you quote your product Code and Reference Number - these can be found on the Guarantee card.